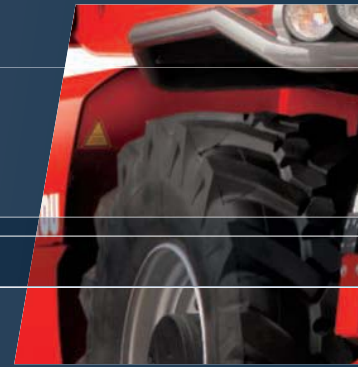
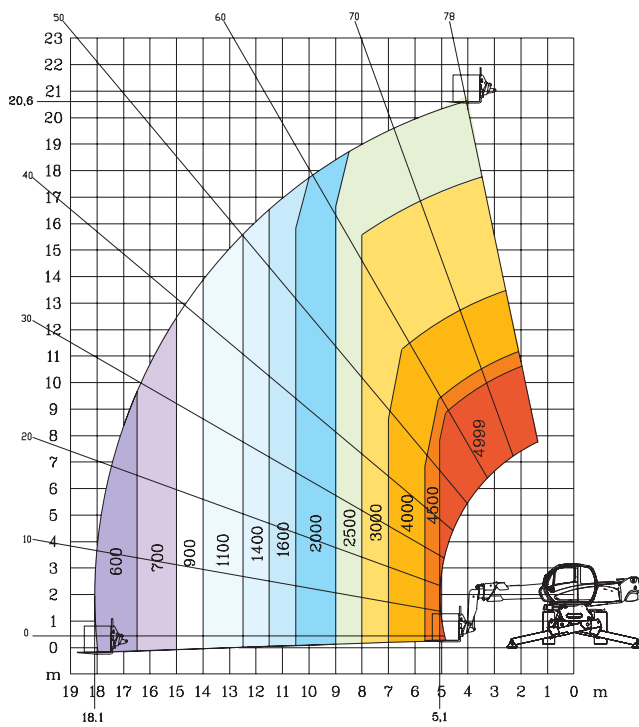


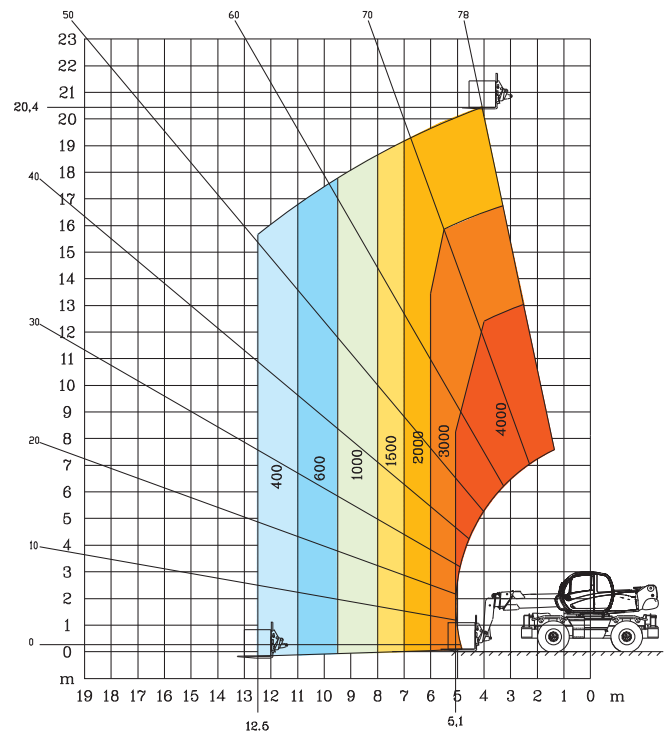
# MRT 2150 + Privilege



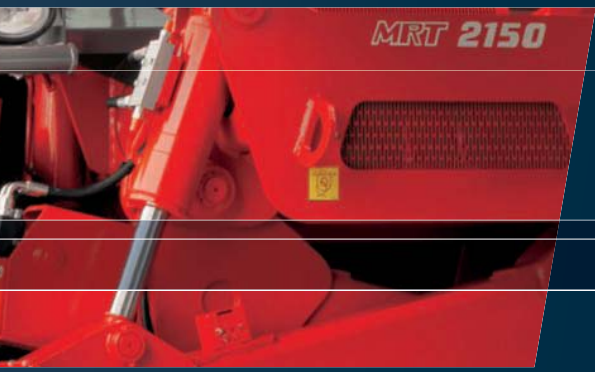
**Rotation on extended stabilizers  
with forks**



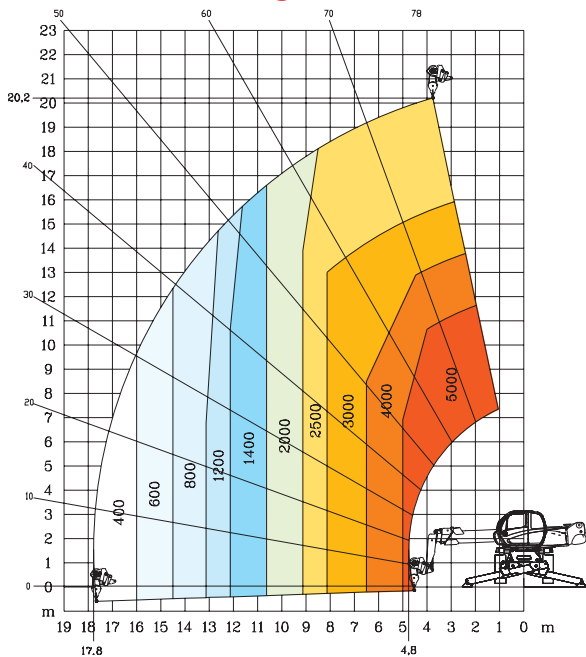
**Frontal on wheels  
with forks**



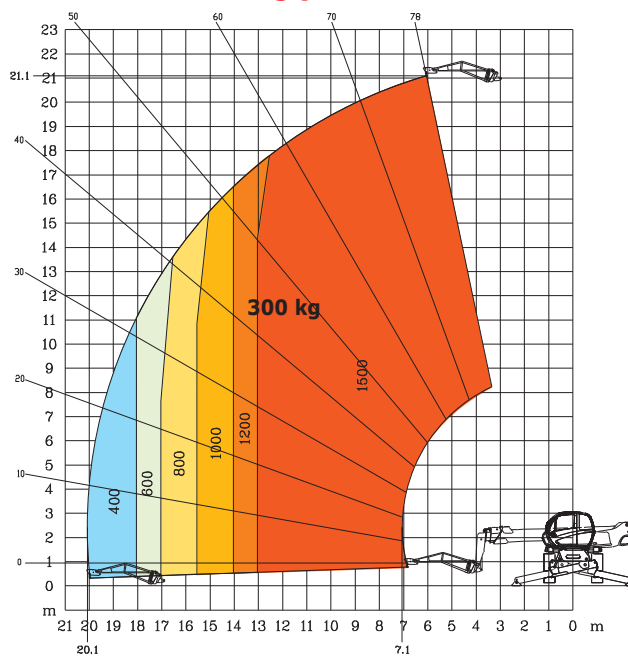
# Rock-solid efficiency



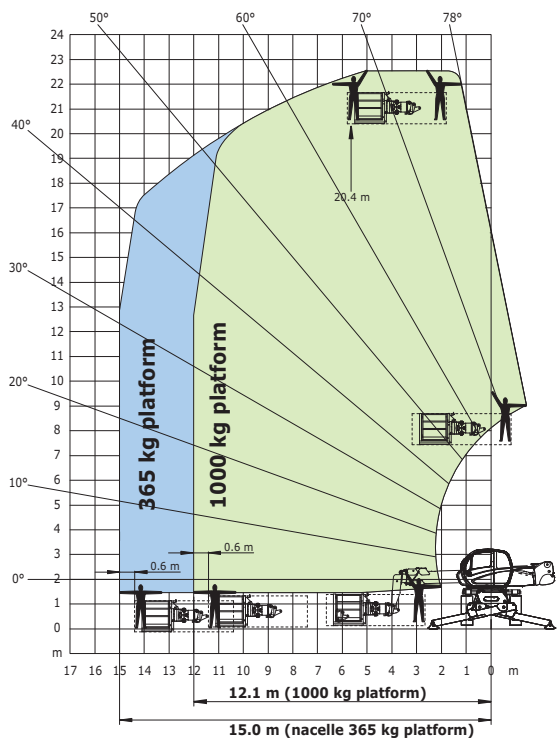
Rotation on extended stabilizers  
with **5000 kg winch**



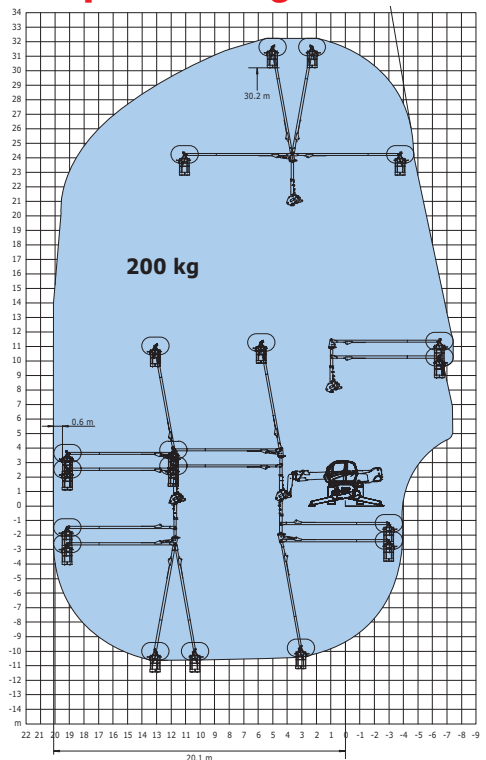
Rotation on extended stabilizers  
with **1500 kg jib**



Rotation on extended stabilizers  
with **365/1000 kg platform**



Rotation on extended stabilizers  
**3D positive/negative**



// MRT 2150 +